

PowerKiss Router Jig

User Guide



Important information - read before proceeding

- PowerKiss Router Jig is compatible with all plunge-capable routers that can be fitted with a 17mm copy ring. If a 17mm ring is not available for your router, you can fit the following subplate and ring: http://www.trend-uk.com/en/Fl/productlist/4/1008/Universal_Sub-base.html
- The PowerKiss Router Jig is an accessory for handheld routers. Always use powertools and their accessories according to manufacturer's instructions; read and understand the instruction manuals before the use
- The PowerKiss Router Jig is designed to be used for milling wooden or wood-based surfaces and should not be used for carving metal or distinctly fragile surfaces (consisting or containing e.g. high amount of paper, cardboard or glass)
- Use PowerKiss Router Jig for only in surfaces with thickness of 15-50mm
- PowerKiss is not responsible for third-party products and their quality before or after the installation; the person conducting the milling should always consult the manufacturer of the target surface before starting the work to ensure compatibility

Contents

Important information - read before proceeding	3
Selecting the place for the milling	5
Tools for the installation	6
Introducing PowerKiss Router Jig	7
Properties	7
The ready groove	7
Using the PowerKiss Router Jig	8
STEP I - Preparing the table	8
STEP II - Attaching the jig	9
STEP III - Placing the router	10
STEP IV - Setting the plunge depth	11
STEP V - Using the router	12
STEP VI - Checking the groove	13
Additional safety instructions	14

Selecting the place for the milling



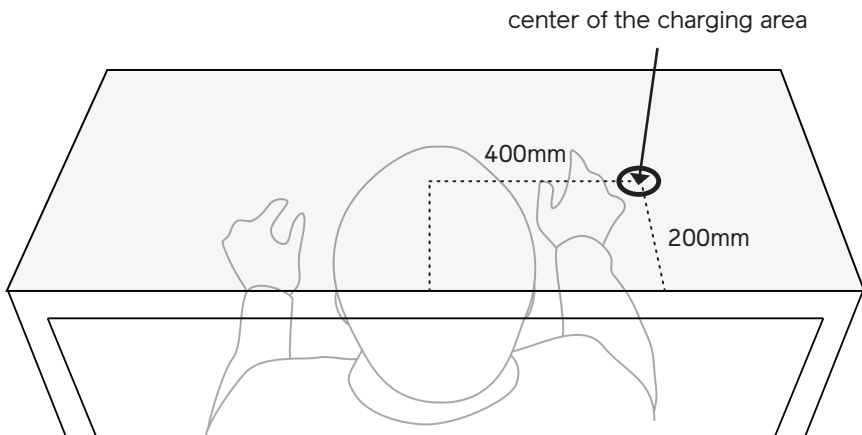
The PowerKiss Hotspot must be located so that it is at least:

- 200mm from the user's body in horizontal direction
- 250mm from the user's body in vertical direction
- 300mm from another charging area

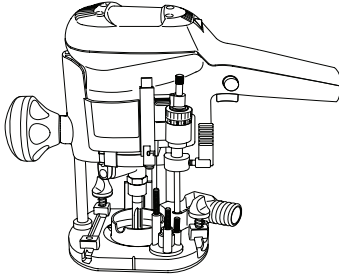
The PowerKiss Router Jig is designed to assist making a suitable milling for PowerKiss Heart installation.

The place for the milling may be selected freely, however the requirements above must be fulfilled.

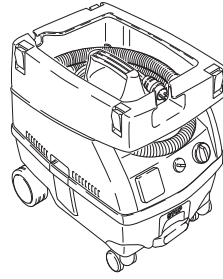
Below is a picture of recommended place for the charging area. More detailed information about the positioning of the charging area is available at powerkiss.com or by request.



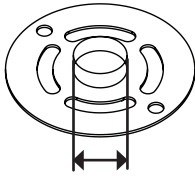
Tools for the installation



Plunge router

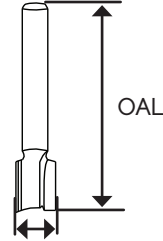


Vacuum cleaner



Ø 17 mm

Copy ring with 17 mm dia suitable for the router

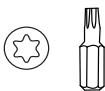


Ø 8 mm or 10 mm

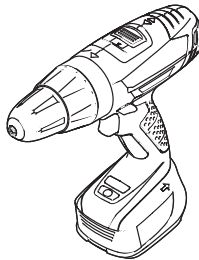
Router bit with 8 mm or 10 mm dia and sufficient overall length (e.g. OAL ≥ 80 mm with 50 mm thick surfaces)



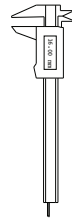
3.5mm drill bit



T20 bit



Power or cordless drill



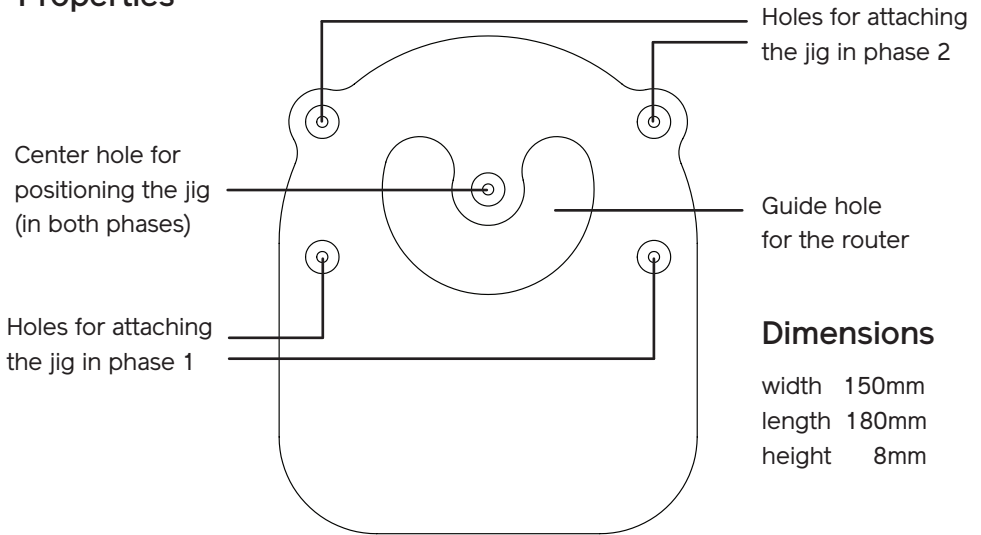
Digital caliper



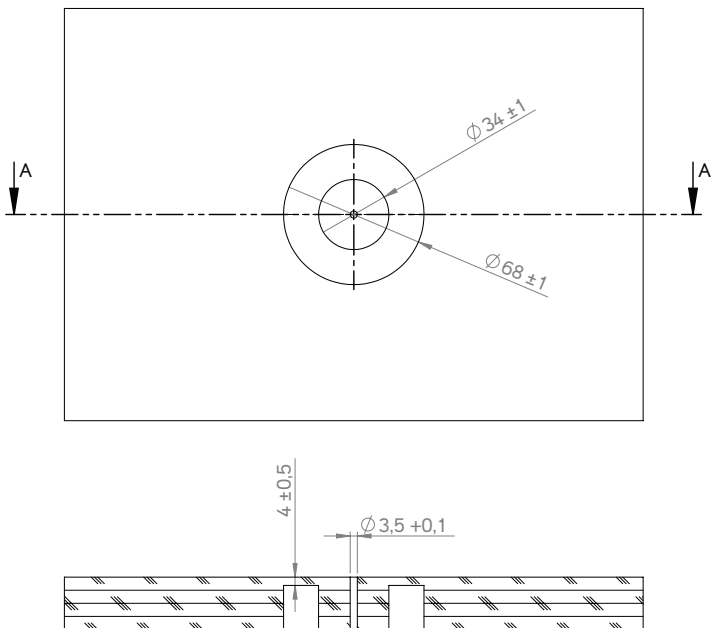
Measuring tape

Introducing PowerKiss Router Jig

Properties



The ready groove



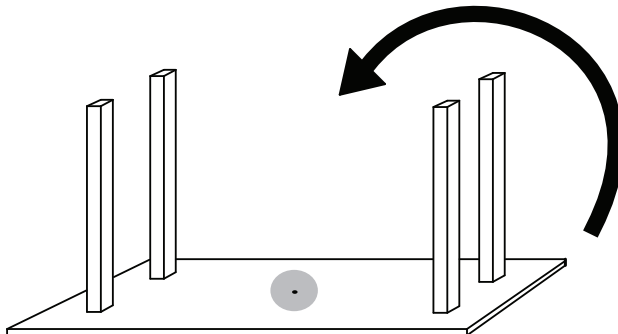
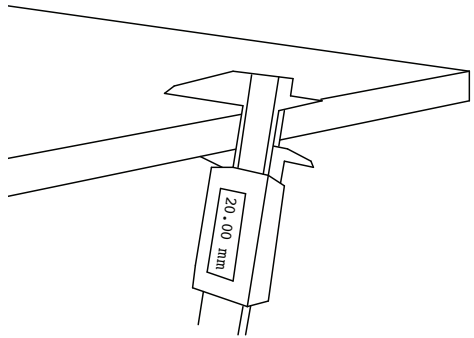
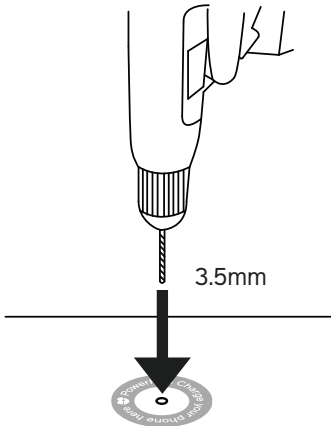
Using the PowerKiss Router Jig

STEP I - Preparing the table

Drill a hole of $d= 3.5\text{mm}$ through the surface of the furniture at the desired place for the PowerKiss Heart.

Measure the table surface thickness with extreme care, use the digital caliper.

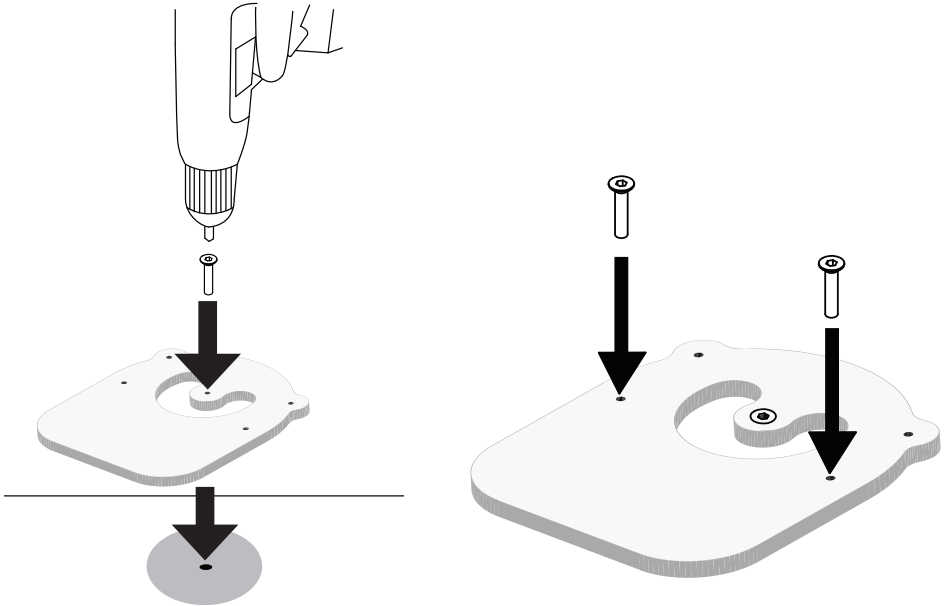
If possible, turn the piece of furniture over, so it is facing the floor or similar solid ground.



STEP II - Attaching the jig

Position the jig by fastening a countersink screw through the center hole of the jig to the drilled 3.5mm hole. Ensure that the jig is able to turn freely using the screw as a center point

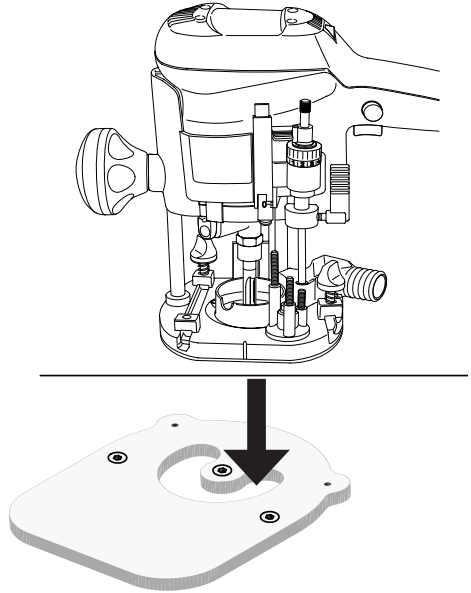
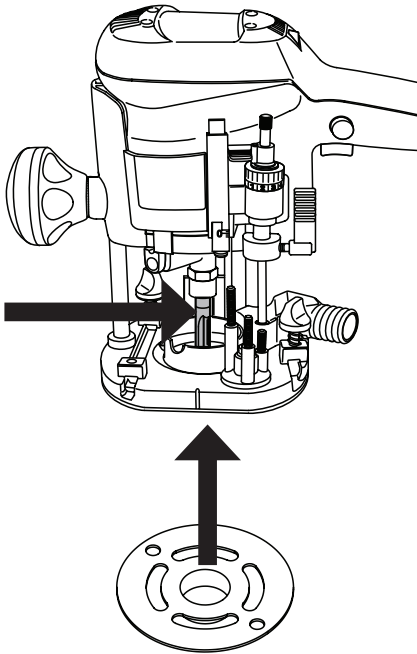
Attach the jig firmly to the surface with two countersink screws from the holes depicted in the picture



STEP III - Placing the router

Attach the router bit and the 17 mm copy ring to the router.

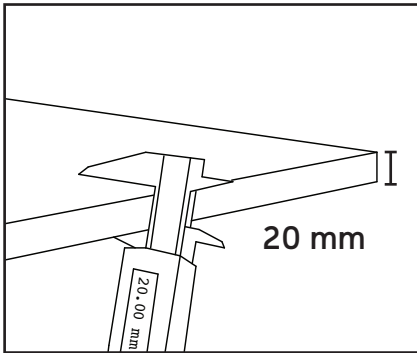
Place the router on the jig so that copy ring sits securely in the guide hole, being tightly against the edge of the hole



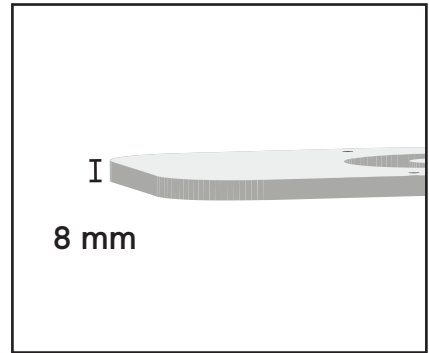
STEP IV - Setting the plunge depth

Set the router plunge depth so that the router is on the jig, thus including the thickness of the jig in the plunge depth. The thickness of the surface in the finished groove must be exactly 4 mm (± 0.5 mm). Pay special attention to the plunge depth setting of the router and re-measure the furniture surface if you are not sure of its thickness.

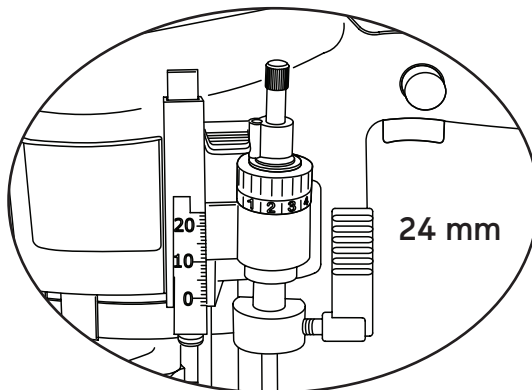
For example, in case of 20 mm thick table top the router must be set to plunge eventually 24 mm deep ($20 \text{ mm} + 8 \text{ mm} - 4 \text{ mm} = 24 \text{ mm}$) in order to get 4 mm thick surface in the finished groove. Notice that you should not exceed 10 mm depth in one cut!



+



- 4 mm =

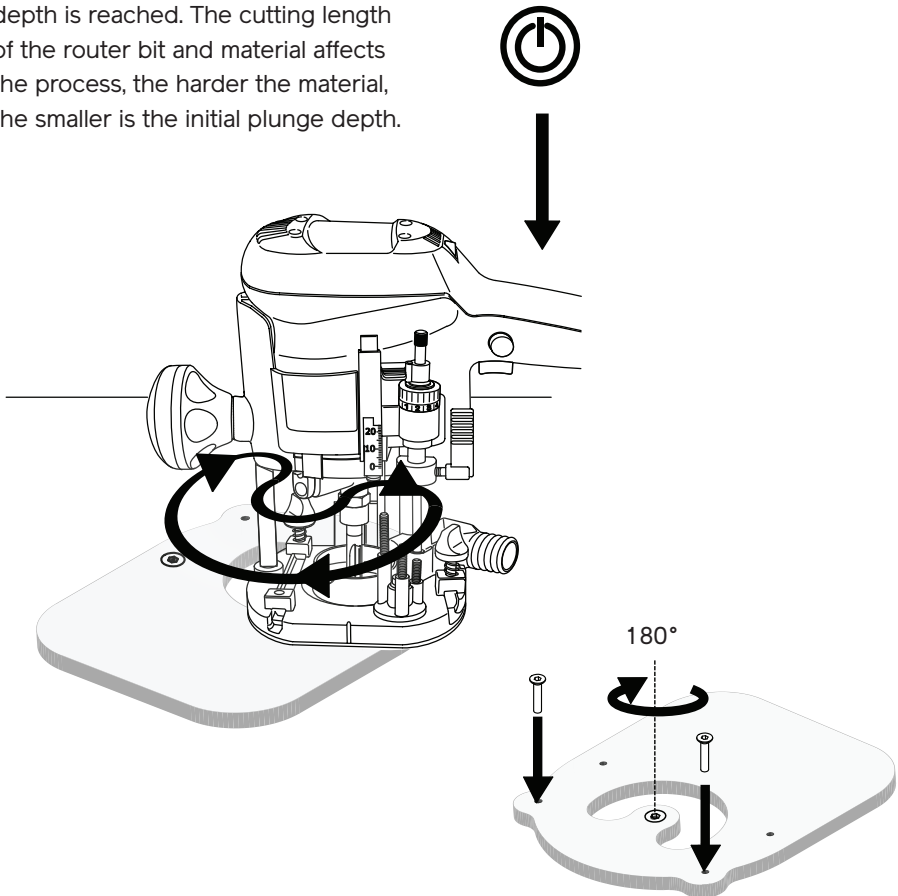


STEP V - Using the router

Turn on the router and plunge it slowly allowing the bit to cut into the furniture surface. As the set depth is reached, guide the router against the edges of the guide hole so that the fixture of the guide is processed to the surface. Press the router firmly against the surface and the edges of the guide hole. Regarding the plunge depth, with thick materials and small routers only plunge part of the way, do a complete round, plunge more and repeat until final depth is reached. The cutting length of the router bit and material affects the process, the harder the material, the smaller is the initial plunge depth.

In some cases you have to do several plunges in order to reach the target depth adequately

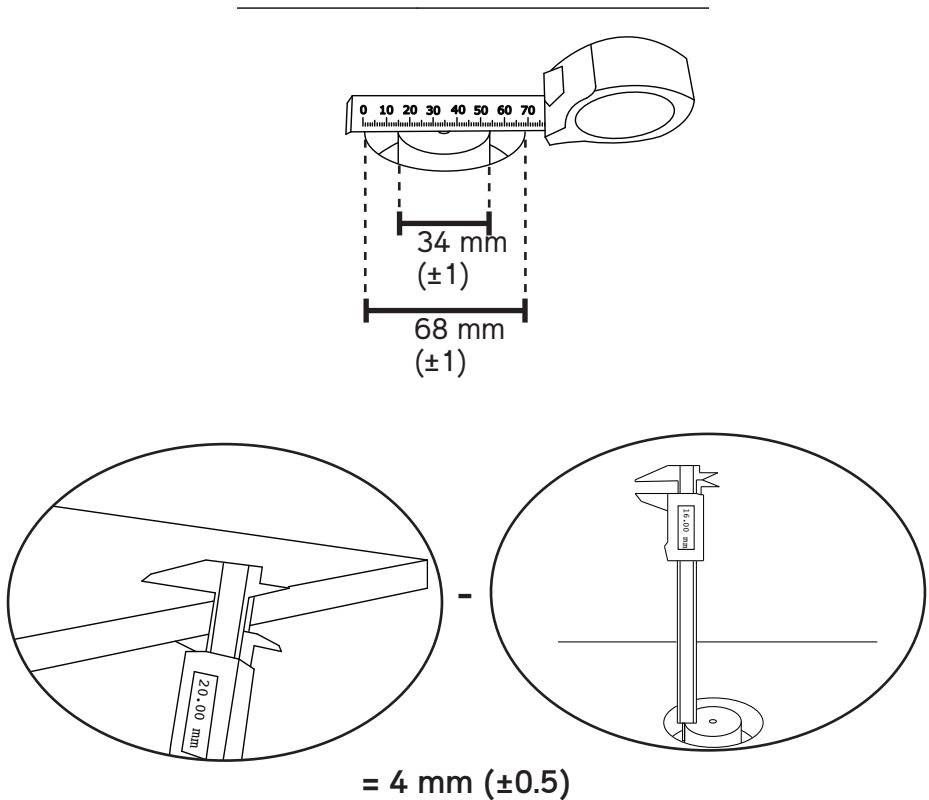
Turn off the router and remove it carefully from the jig plate. Clean all possible residues and detach the screws from the side holes. Turn the jig 180° and attach the jig with the screws from other side holes depicted in the picture. Place the router on the jig again and drill out the remaining of the groove.



STEP VI - Checking the groove

As the target fixture (see properties of ready groove) has been processed to the surface, remove the jig and ensure that the thickness of the surface is exactly 4 mm (± 0.5) in the finished groove. If necessary, do a another round of processing. Also, check that the inner diameter of the hole is 34mm (± 1 mm) and the outer diameter is 68 mm (± 1 mm).

For example, in case of 20 mm thick table top the ready groove should be 16 mm deep in order to have 4 mm thick surface in the finished groove ($20 \text{ mm} - 16 \text{ mm} = 4 \text{ mm}$)



Additional safety instructions

- PowerKiss Router Jig is compatible with all plunge-capable routers that can be fitted with a 17mm copy ring. If a 17mm ring is not available for your router, you can fit the following subplate and ring: http://www.trend-uk.com/en/Fl/productlist/4/1008/Universal_Sub-base.html
- Switch off and disconnect router from the mains when not in use, before servicing and changing the cutter
- Before using any power tool, check first for damaged parts and if found, do not use them before the part or parts have been replaced with new ones
- Before using the jig, we recommend you practice a few joints with off-cuts of worktops or other materials to familiarize yourself with the jig
- Always ensure that the path of the router is kept clear of any obstruction e.g. clamps
- Always ensure that the cable of the router is clear of the jig and is of sufficient length
- Do not switch router on with the cutter touching the work piece
- Do not force the router to work fast. This will result in a poor quality cut and can also damage expensive router bits
- Never remove the router from the jig whilst it is still in motion
- Always allow the router to stop and switch off before removing
- Always keep the router base parallel to the jig, and the router in an upright position. Failure to do so will cause an unmatched joint

- Don't over reach; keep proper footing at all times to ensure correct balance
- Wear safety goggles at all times, everyday glasses are not sufficient for eye protection as lenses are not impact resistant and could shatter. Use a face or dust mask if operation is likely to be dusty and ear defenders during periods of operations
- Don't wear loose clothing, neckties or jewellery or other items which may get caught in moving parts. Wear non-slip footwear, cover or tie back long hair and roll long sleeves above the elbow
- Never exceed 10mm depth cut in one cut
- Be sure to set plunge depth correctly, plunging through the table will remove the centre plug that guides the jig and create a serious hazard

Design
and
technology

are matters
of Heart